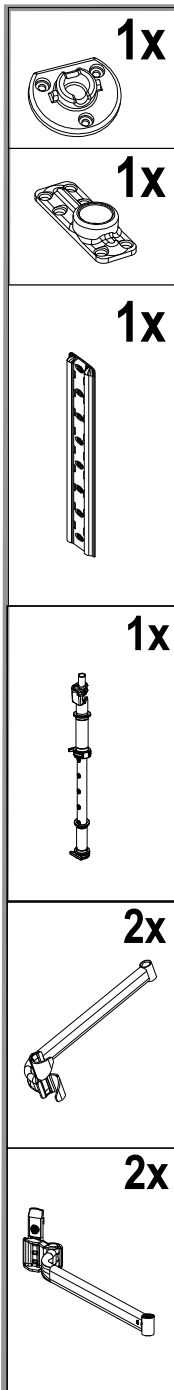
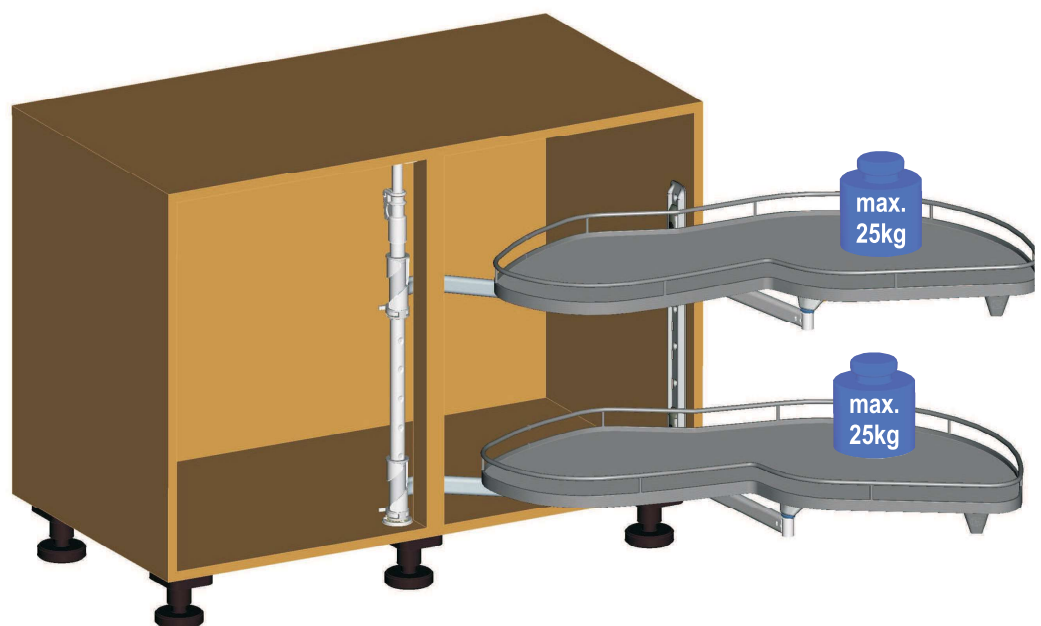


# LeMans, asennusohje



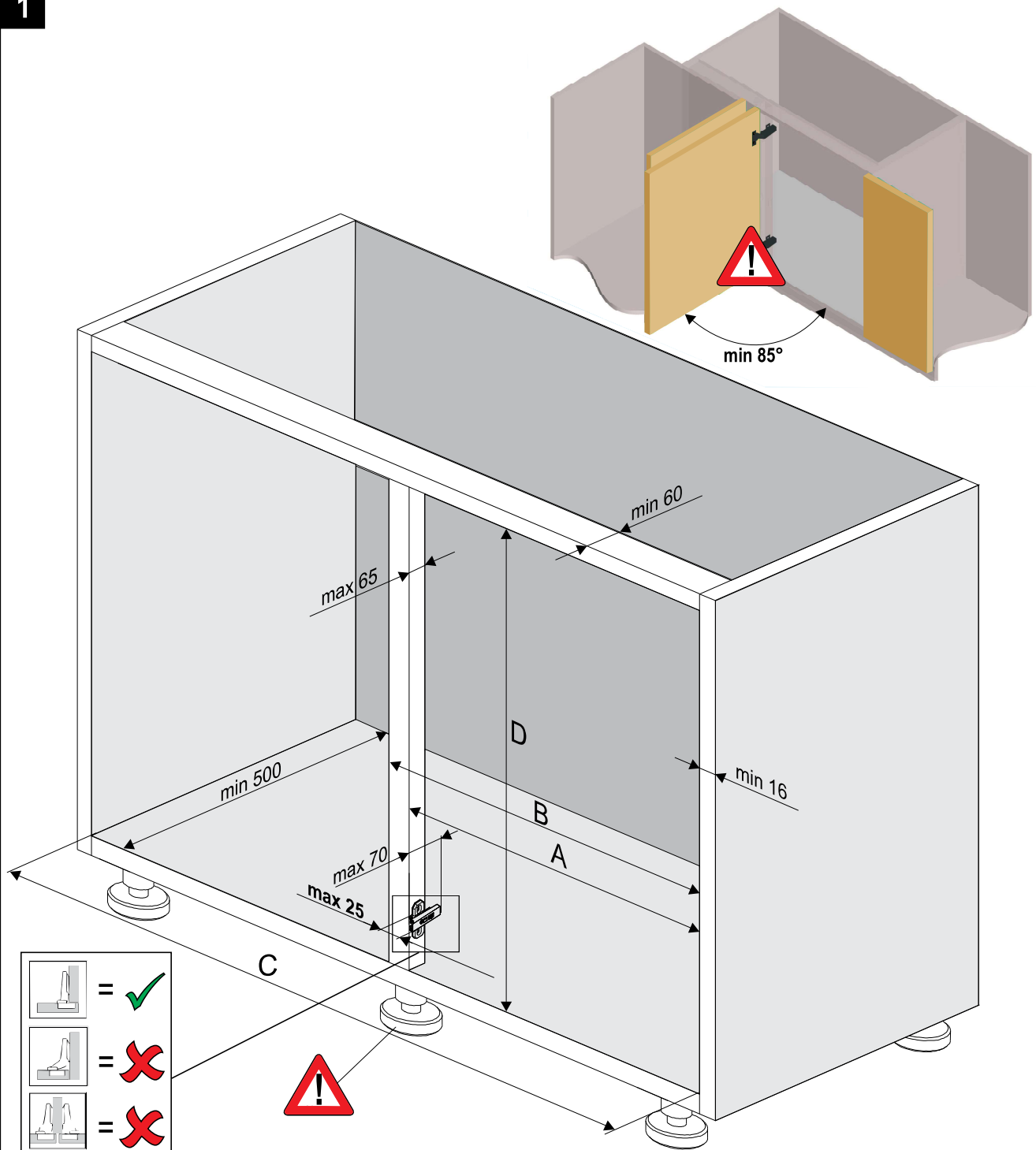
## Mounting Instruction

Full Swing Corner Pull-out  
LeMans II  
(with height adjustable axle)  
For 400, 450, 500 and 600 mm cabinets



# LeMans II

1



		Maß mm measur. Cote		
		A	B	C
	LeMans 40	361 - 368	max 400	min 764
	LeMans 45	411 - 418	max 450	min 800
	LeMans 50	461 - 468	max 500	min 910
	LeMans 60	561 - 568	max 600	min 960

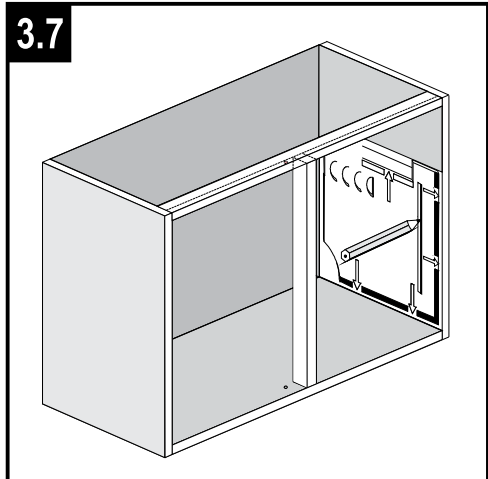
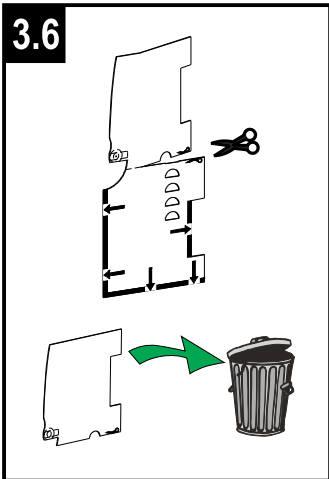
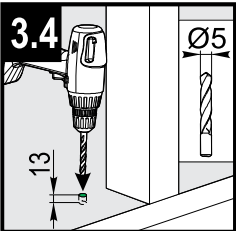
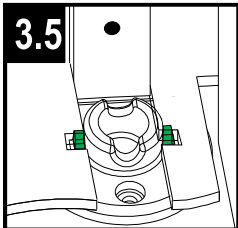
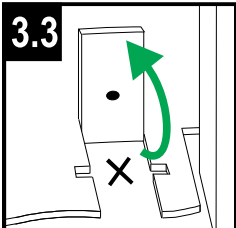
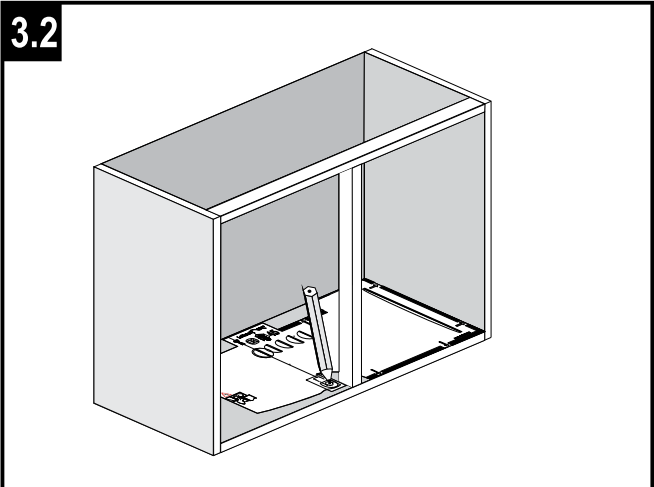
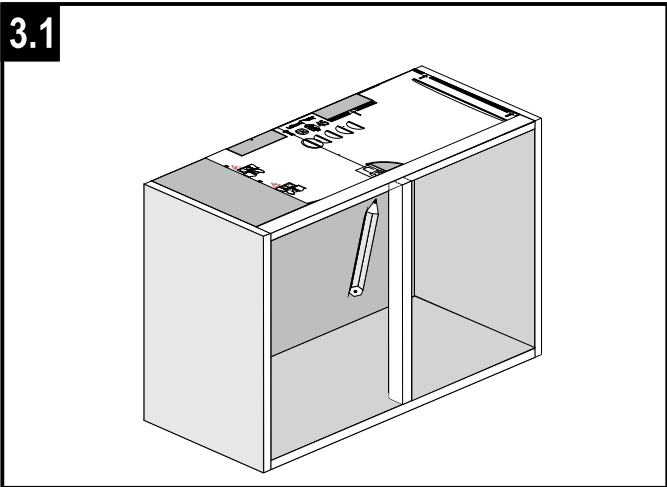
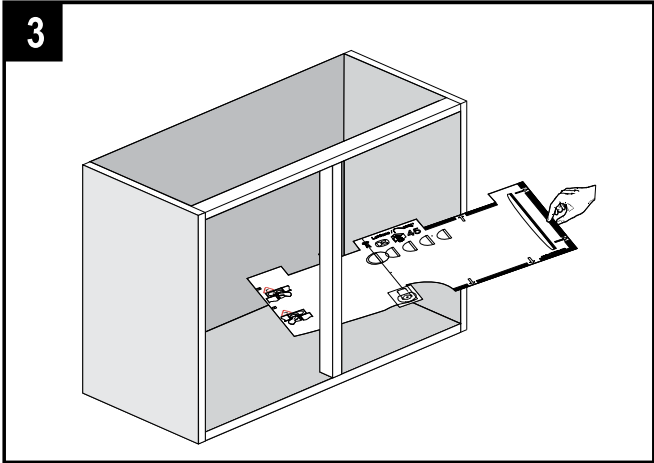
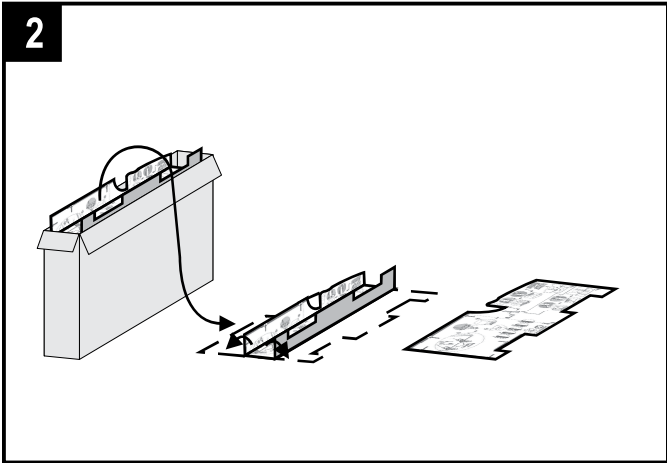
D	
Achse axe axe	600 - 750
	650 - 800
	720 - 900

# LeMans II

Locate bolting positions

Usage of mounting template (S. 4, Nr. 2 - 3.7)

Measuring screw positions (p. 5, Nr.4)



# LeMans II

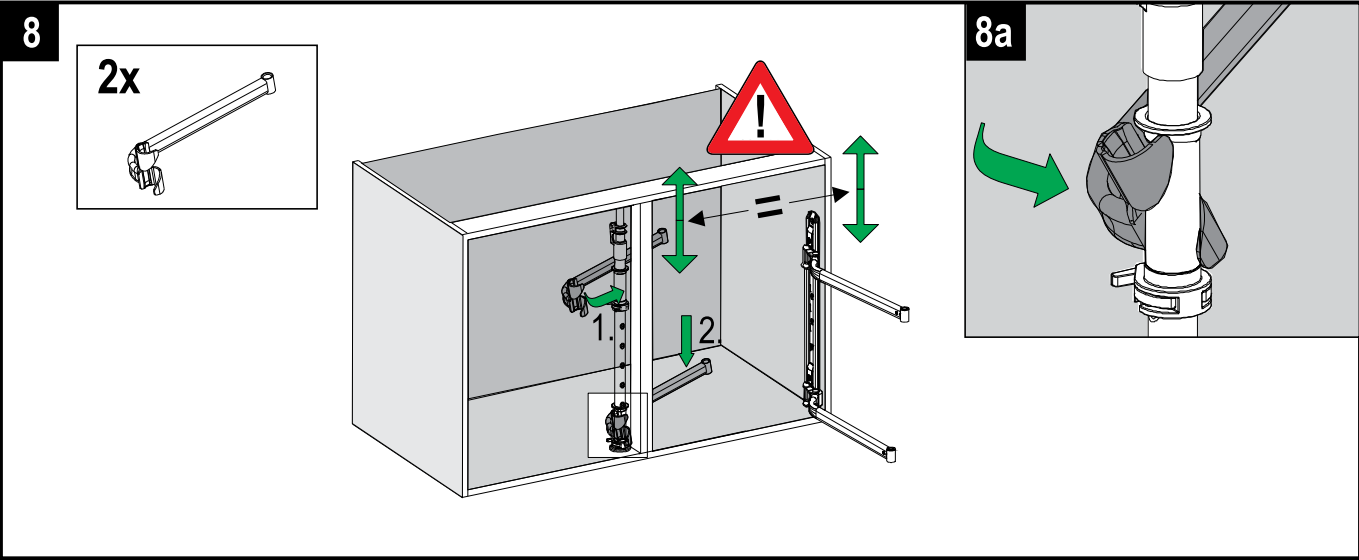
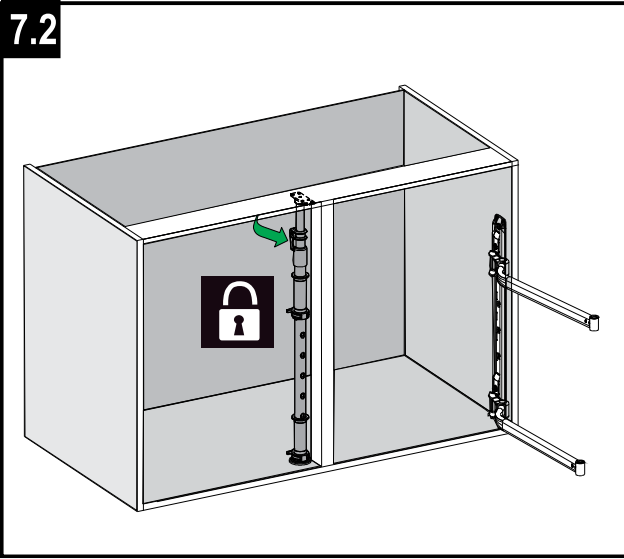
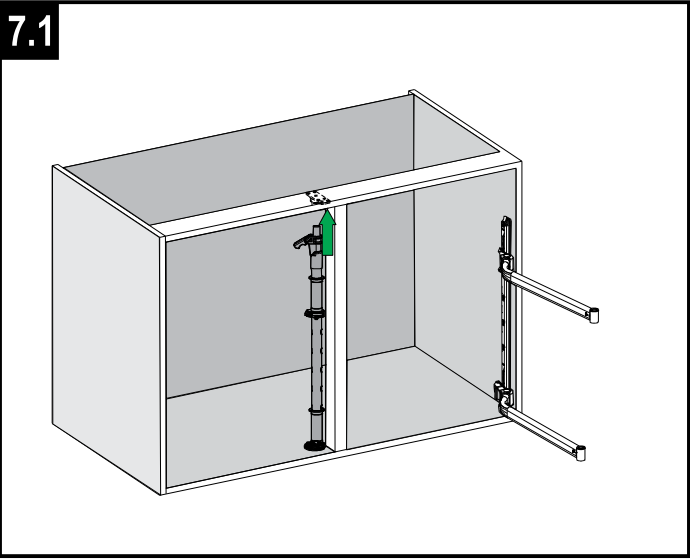
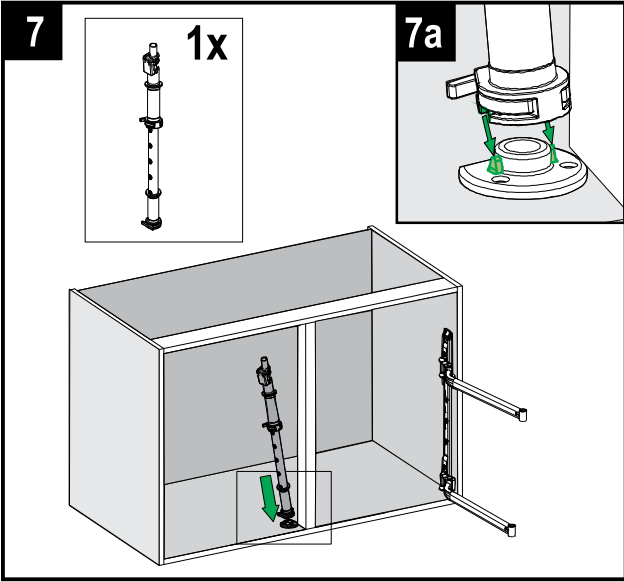
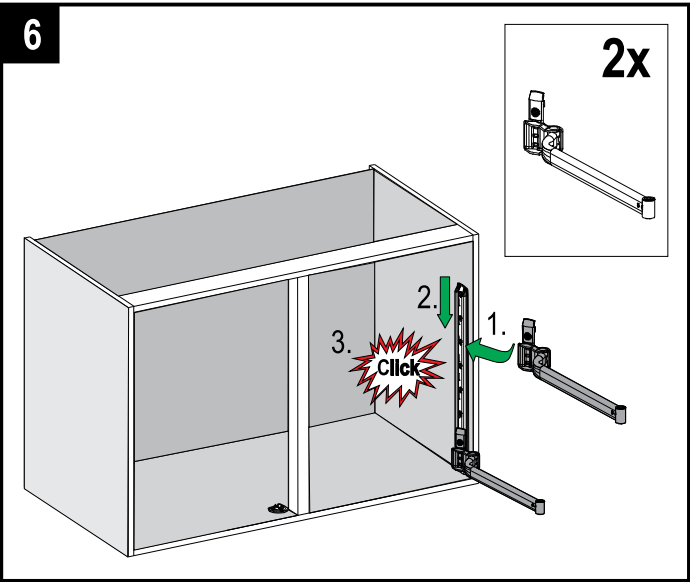
**4**

Tür door Porte	X
LeMans 40	426 mm
LeMans 45	476 mm
LeMans 50	526 mm
LeMans 60	626 mm

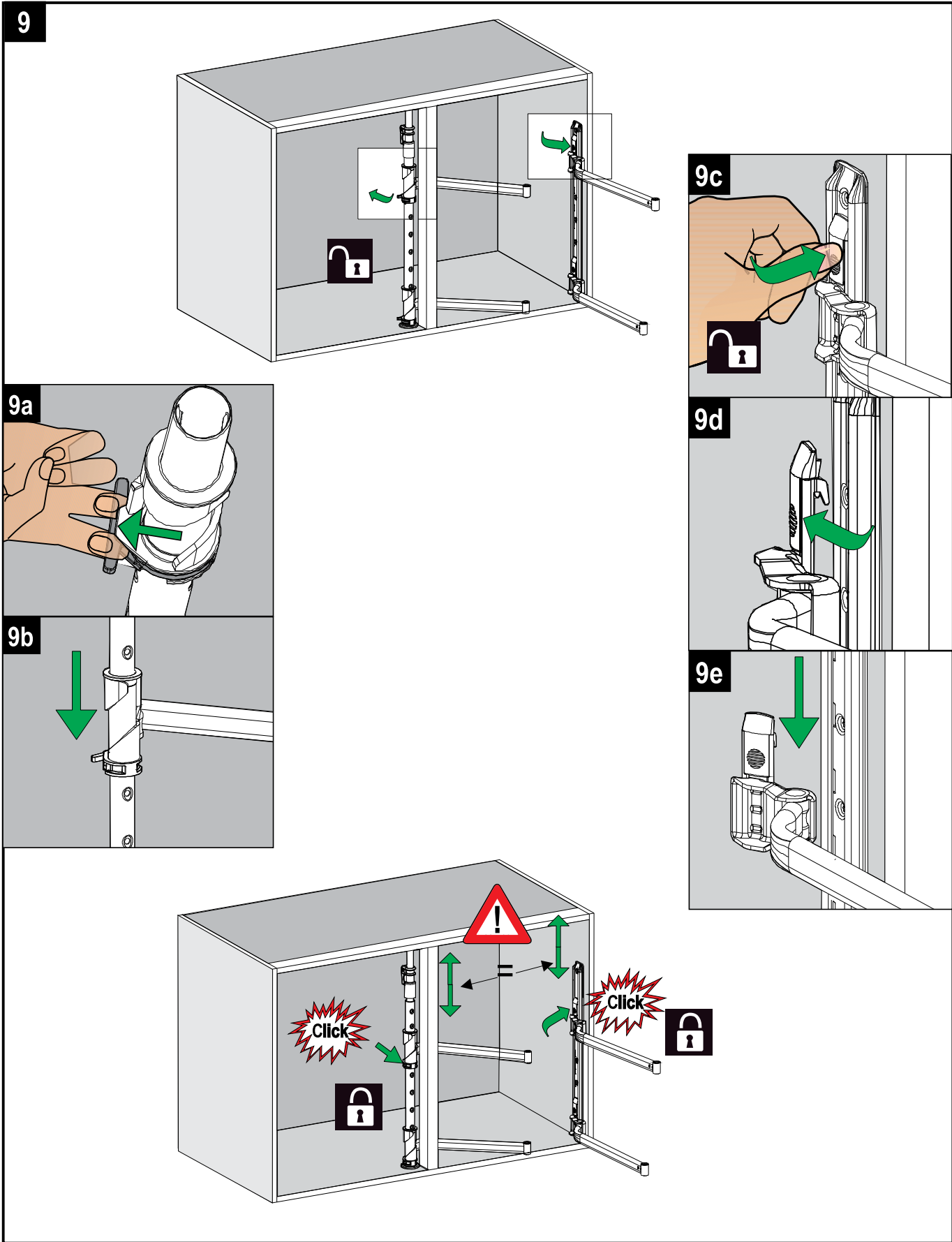
**5**

$\varnothing 5$  13  
 $\varnothing 6,3$  16 oder or ou  $\varnothing 4$  16

# LeMans II

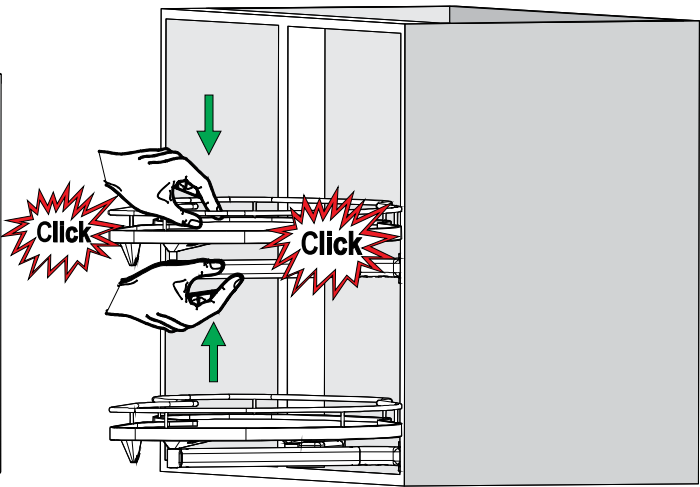
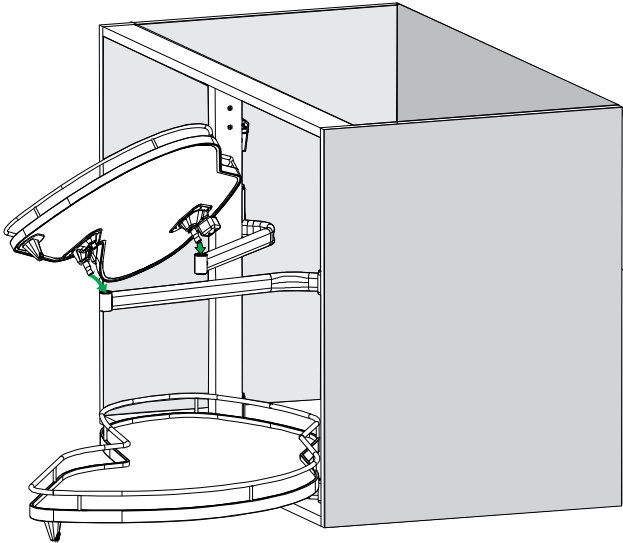
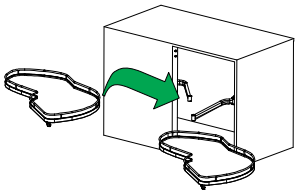
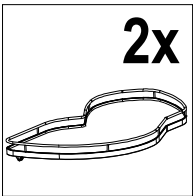


# LeMans II

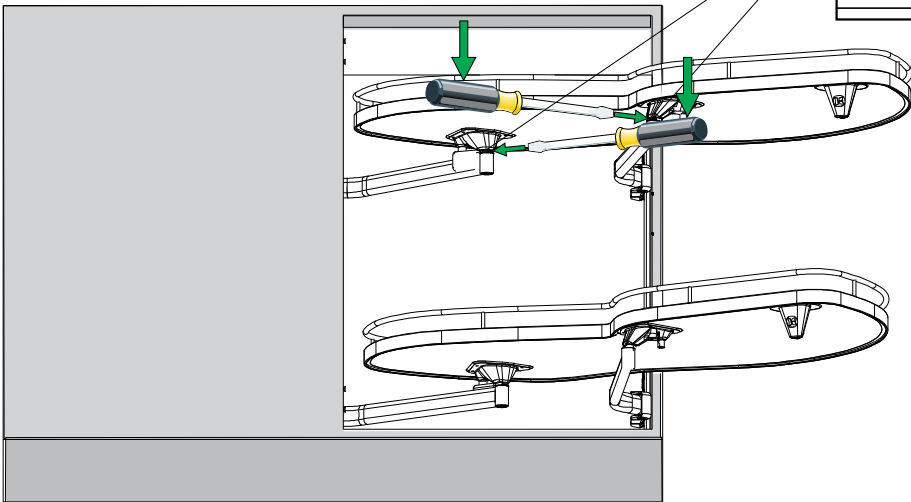
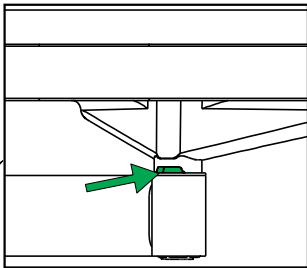
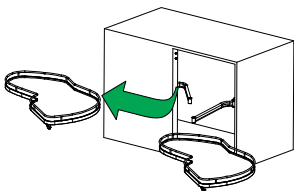


# LeMans II

10



11



# LeMans II

12

